



[www.OdometerGears.com](http://www.OdometerGears.com)

# Mercedes-Benz 124, 129 and 201 Chassis Bosch Wiper Transmission Gear Replacement

If you have a SWF wiper transmission, sorry as we do not offer any replacement parts for this unit.

ALLDATA Online Home | Account | Contact ALLDATA | Log Out | Help

Select Vehicle | New TSBs | Technician's Reference | Component Search:

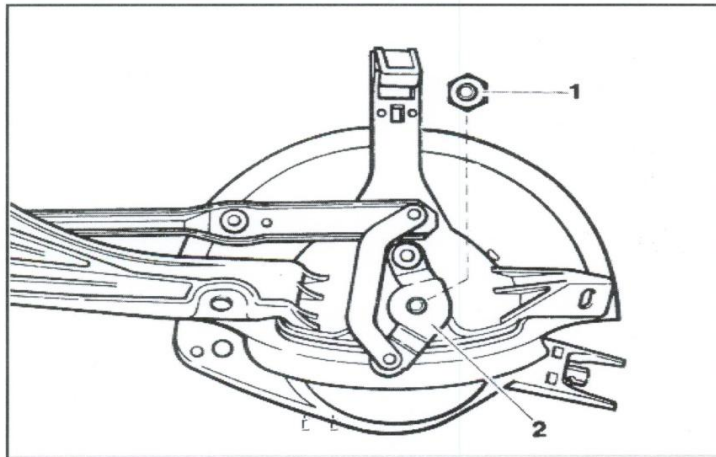
Conversion Calculator

1990 Mercedes Benz 300E (124 Chassis) L6-2960cc 3.0L SOHC (103)

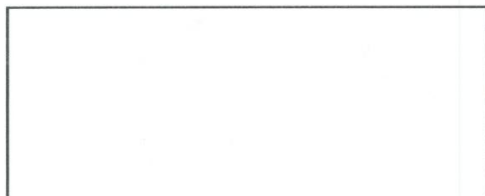
Vehicle Level → Wiper and Washer Systems → Wiper Motor Linkage → Service and Repair ←

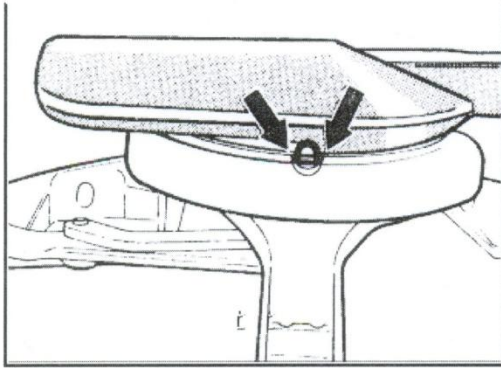
## Service and Repair

Notes



- Remove wiper system. See: Wiper Motor\Service and Repair\Remove/Install Wiper Motor
- Unscrew nut (1) on wiper motor shaft. Torque to **19 Nm** on reinstallation.
- Press off crank arm (2).
- Reverse procedure to install.





Zoom

Sized for Print

Align markings on gear head for installing (arrows) so that they are above each other (park position).

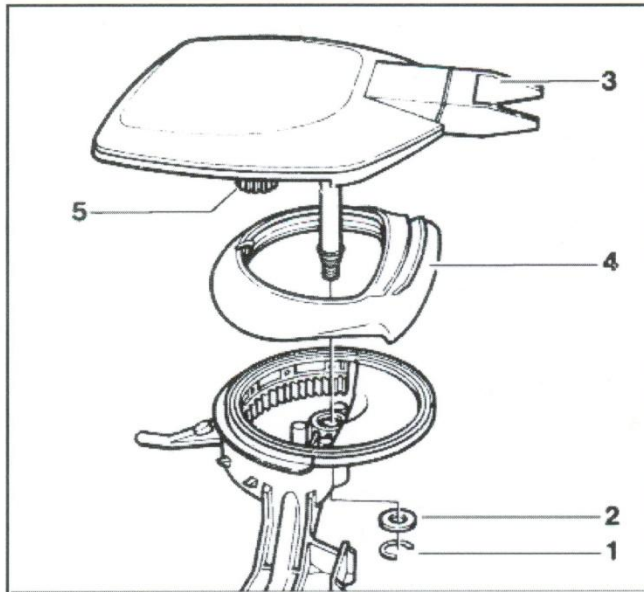
1990 Mercedes Benz 300E (124 Chassis) L6-2960cc 3.0L SOHC (103)

Vehicle Level → Wiper and Washer Systems → Wiper Motor → Service and Repair → Remove/Install Rubber Seal Below Wiper Gear

### Remove/Install Rubber Seal Below Wiper Gear

Notes

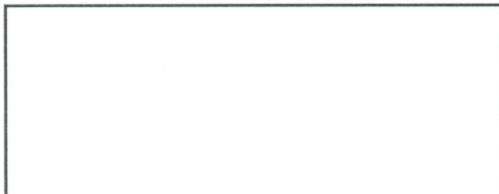
#### Removal :

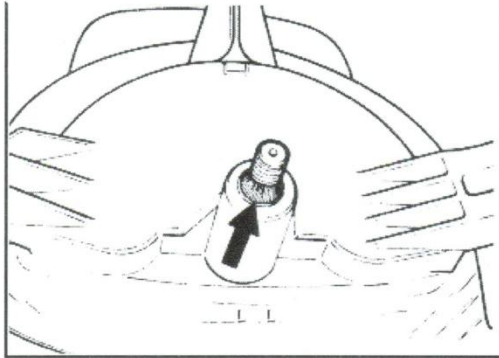


Zoom

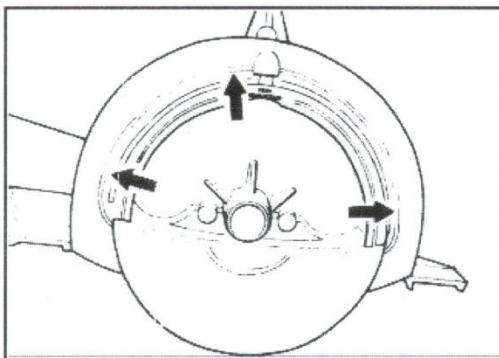
Sized for Print

- Remove wiper system. See: [Remove/Install Wiper Motor](#)
- Detach wiper linkage from wiper gear. See: [Wiper Motor Linkage\Service and Repair](#)





1. Press off locking ring (arrow). **NOTE** : Gear head can only be removed in center position. Do not knock out with hammer. When installing, the push rod must be fully inserted; correct, if necessary, by turning cog wheel (5).
2. Turn gear head into center position (at right angles to notched bar) and withdraw the bearing.



3. Take off rubber seal (arrows).

**Installation :**

4. Coat new rubber seal (arrows) with MB Universal Adhesive and stick onto the housing.





Remove the screws that secure the wiper gear. If you look on the inside you will see the metal retainers that you are removing. Do not lose these as you will be reusing them with the new gear.

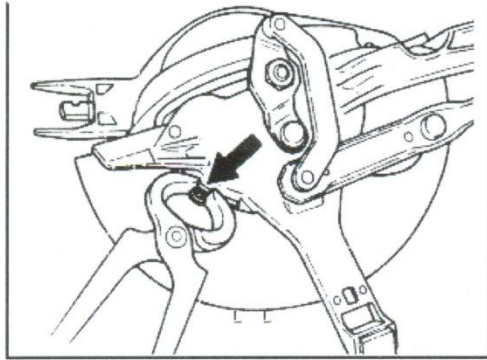




Install the new gear by first getting one side started and then flexing the gear on the other side until it drops into the groove. Install the metal retainers and then the screws. Do not over tighten the screws as the head are easily stripped.

Here is a video demo of this procedure: [http://www.youtube.com/watch?v=yx12\\_vPCnzQ](http://www.youtube.com/watch?v=yx12_vPCnzQ)

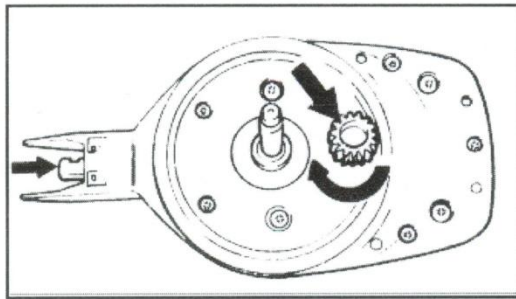




Zoom

Sized for Print

5. On models with air conditioner, additionally attach new rubber seal with a hose strap (arrow).



Zoom

Sized for Print

6. Move gear head into center position and introduce into bearing until the push rod is fully inserted. Correct at gear wheel if necessary by turning.
7. Press retaining ring onto wiper shaft.
8. Complete assembly in reverse order of removal.



OK

Conversion Calculator

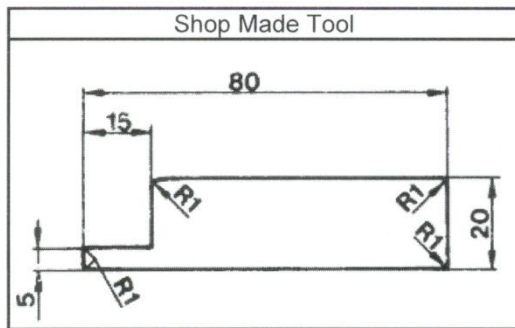
1990 Mercedes Benz 300E (124 Chassis) L6-2960cc 3.0L SOHC (103)

Vehicle Level → Wiper and Washer Systems → Wiper Motor → Service and Repair → Remove/Install Wiper Motor

### Remove/Install Wiper Motor

Notes

**WARNING: Withdraw ignition key! Movements at the wiper arm or wiper linkage may activate the automatic park position control if the ignition key is in position "1". Unintentional operation of the wipers might result in hand injuries.**



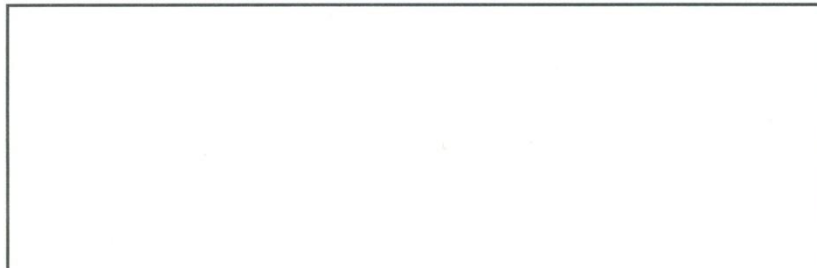
Zoom

Sized for Print

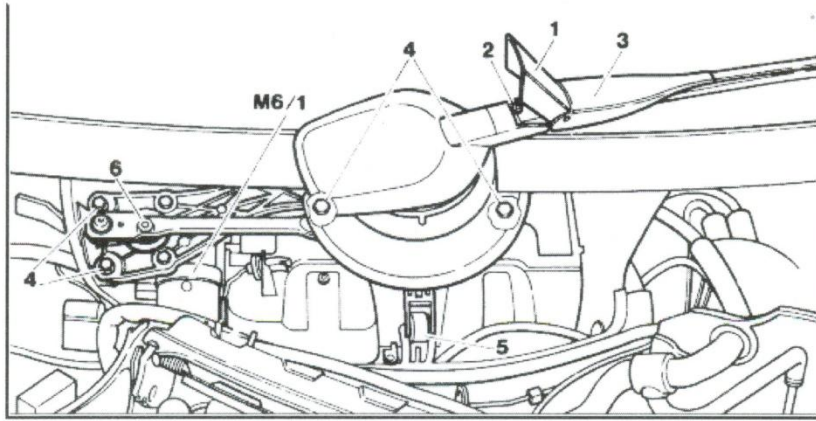
Test Gauge  
Material: wood or plastic

#### Removal :

Remove grille from air inlet before starting the following procedure in order to gain access to components that this procedure refers to.

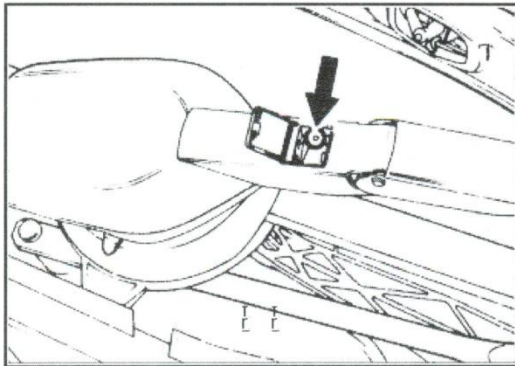






Zoom

Sized for Print

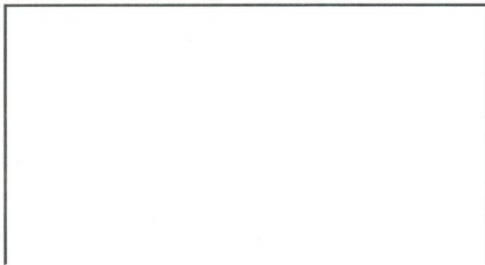


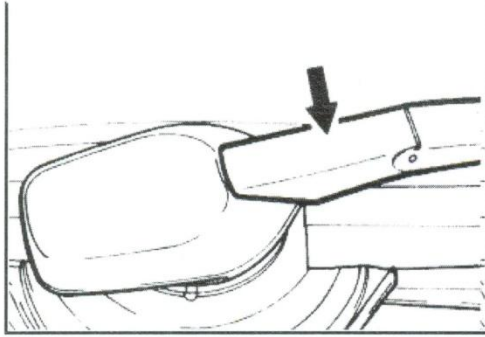
Zoom

Sized for Print

1st version:

1. Open cover plate cover, unscrew hexagon socket screw and remove. Take off wiper arm.



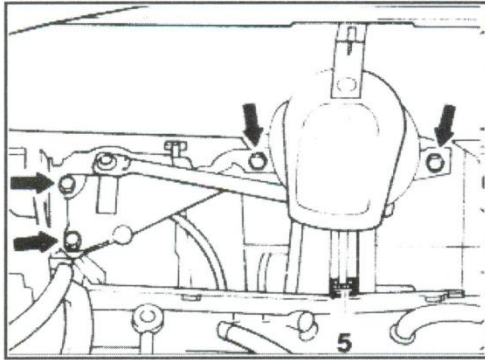


Zoom

Sized for Print

2nd version:

2. Move wiper system to maximum extended stroke.
3. Pull off plastic cover (arrow) downward.
4. Unscrew hexagon socket screw below plastic cover and pull off wiper arm.

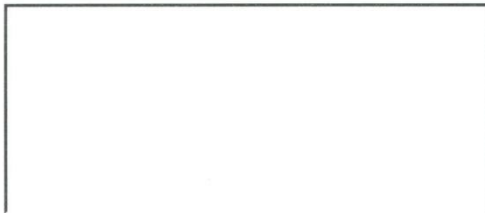


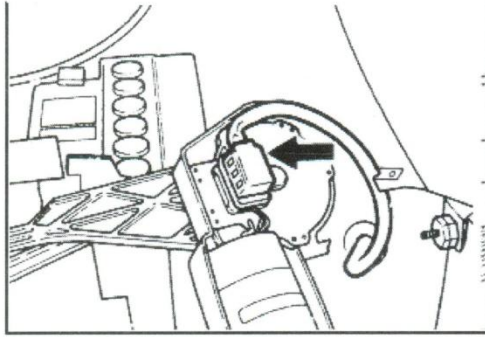
Zoom

Sized for Print

Both Versions:

5. Remove hexagon nuts (arrows) and pull off retaining clip (5).

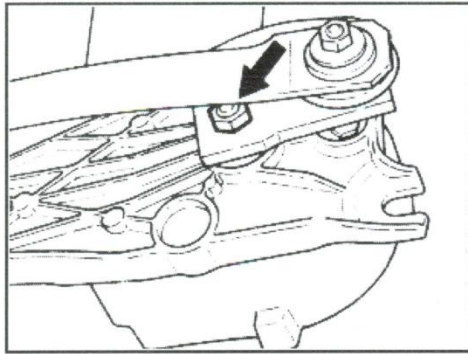




Zoom

Sized for Print

6. Take out wiper system.
7. Pull off plug connection (arrow).

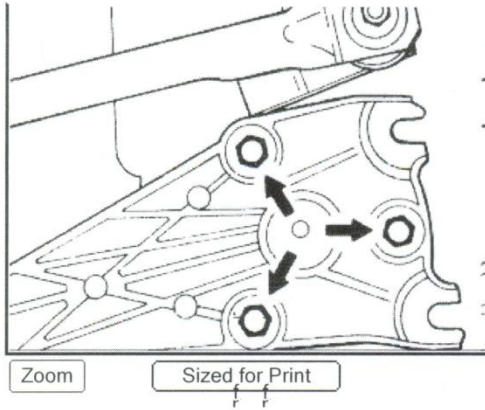


Zoom

Sized for Print

8. Unscrew hexagon nut (arrow) from wiper motor shaft and press off crank arm.

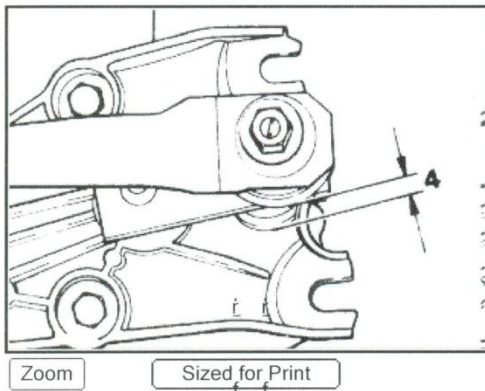




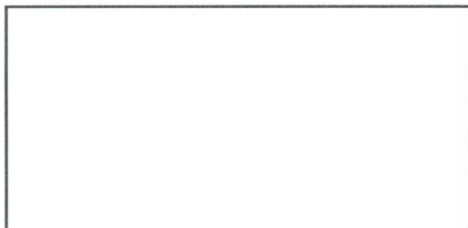
9. Unscrew hexagon bolts (arrows) of wiper motor and take off wiper motor.

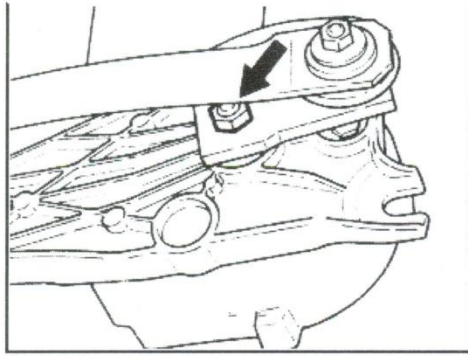
**Installation :**

10. Screw on hexagon bolts of wiper motor and tighten to **5 Nm** .
11. Connect wiper motor to wiring harness and run to park position.



12. Fit crank arm onto wiper motor shaft and align.

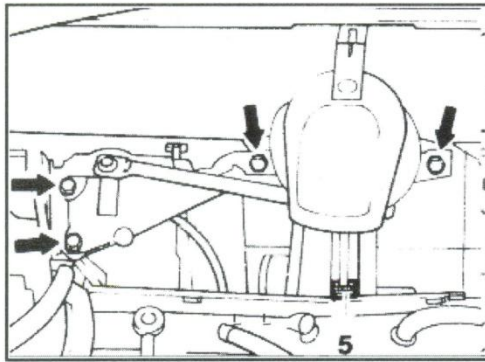




Zoom

Sized for Print

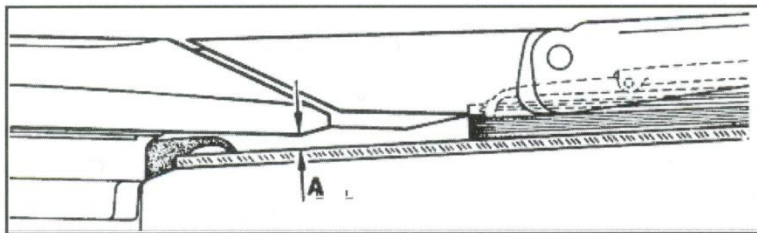
13. Tighten hexagon nut (arrow) to **19 Nm** .



Zoom

Sized for Print

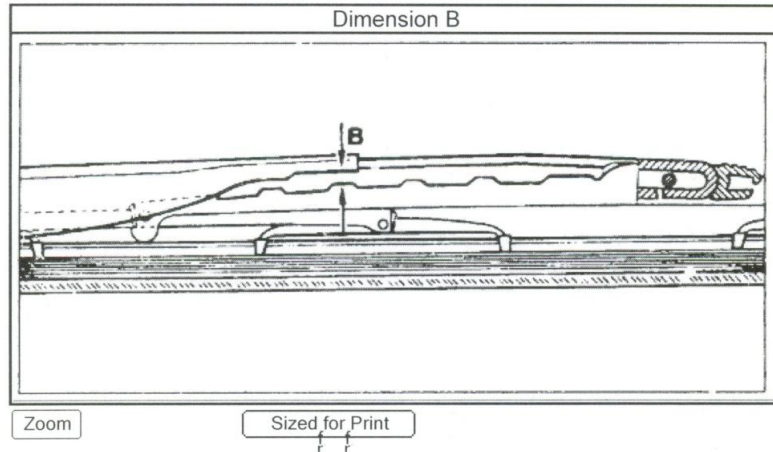
14. Insert wiper system.  
15. Screw on hexagon nuts (arrows).  
16. Fit on retaining clip (5).



Zoom

Sized for Print

17. Press wiper system up far enough for the test gauge to be inserted (reference size A). If the adjustment facility in the oblong holes is not sufficient, install washers between rubber mounts and wiper system.
18. Install wiper arm.
19. Move wiper arm into center position.



20. Measure reference size "B" with gauge. If the distance is less than **5 mm**, bend wiper arm toward windscreen until gauge can be inserted.

© 2008 ALldata LLC. All rights reserved.  
Terms of Use



[www.OdometerGears.com](http://www.OdometerGears.com)